

SINGER
111W151

Form 2654w

(440)

PRINTED IN U. S. A.

SINGER**

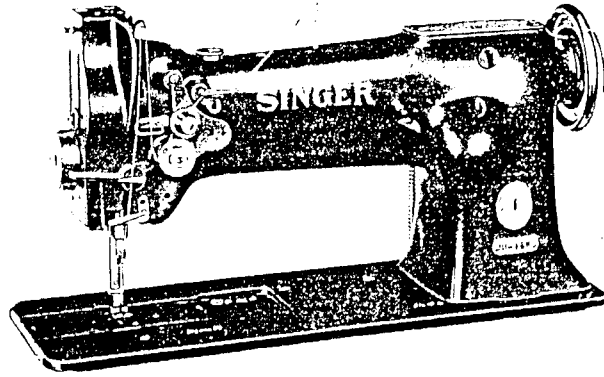
III w 151



From the library of: Diamond Needle Corp

THE SINGER MANUFACTURING COMPANY

** A Trademark of THE SINGER MANUFACTURING COMPANY



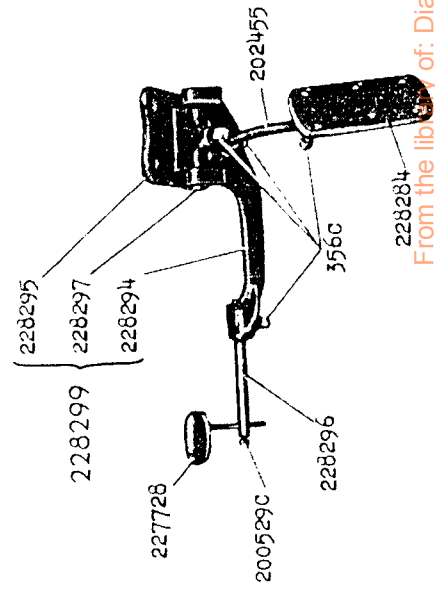
Copyright, U. S. A., 1938 and 1940
 by The Singer Manufacturing Co.
 All Rights Reserved for all Countries

16258 - 1/6

224121

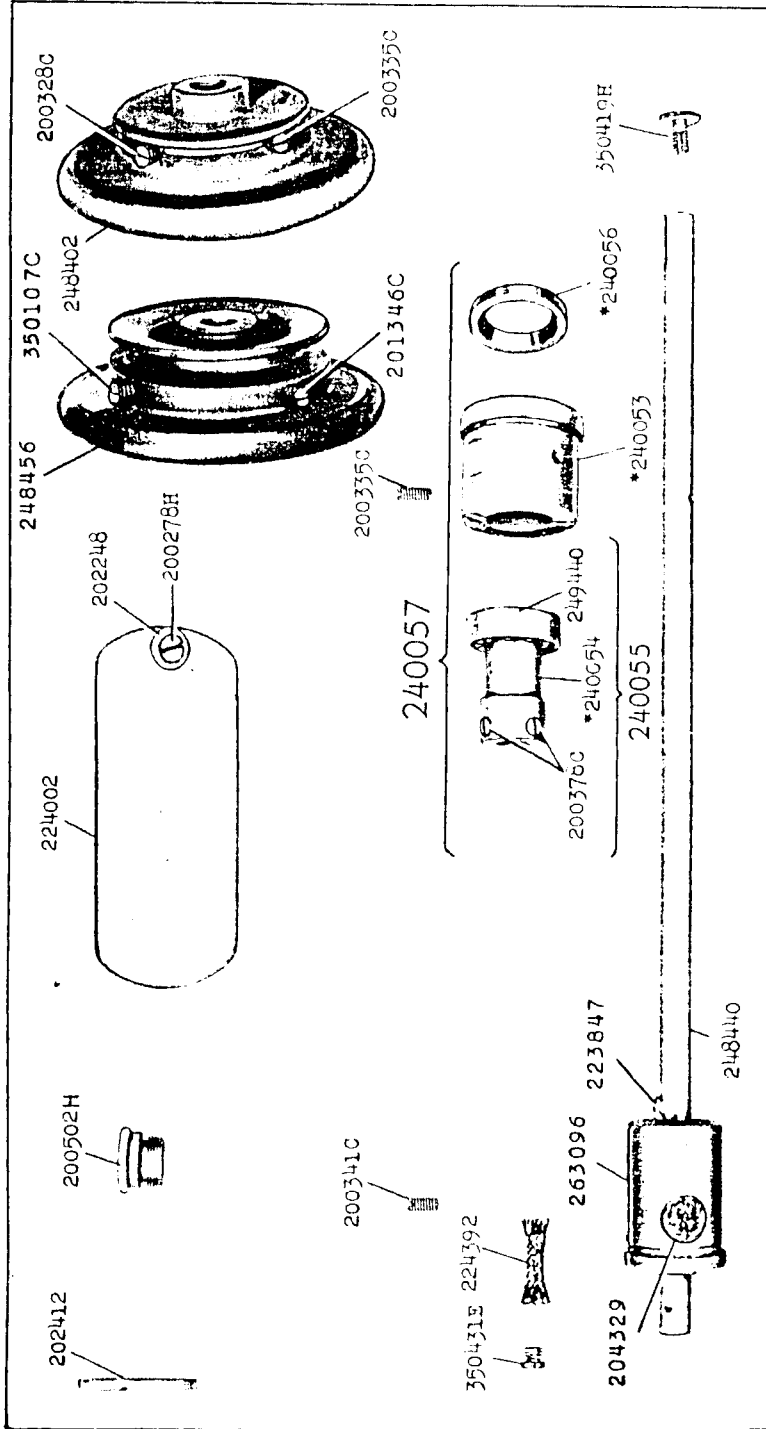


228298

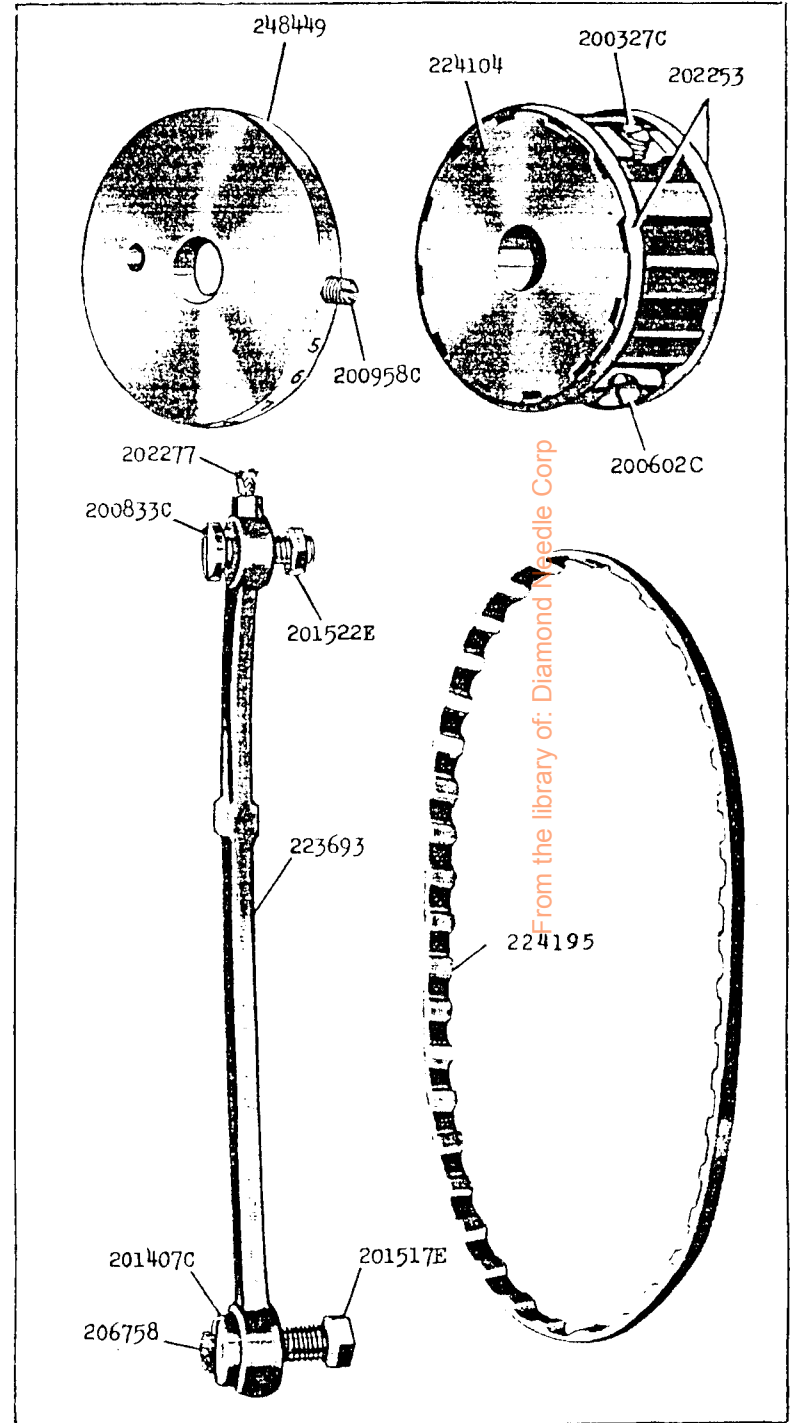


From the library of: Diamond Needle Supply

16603 - 3/8

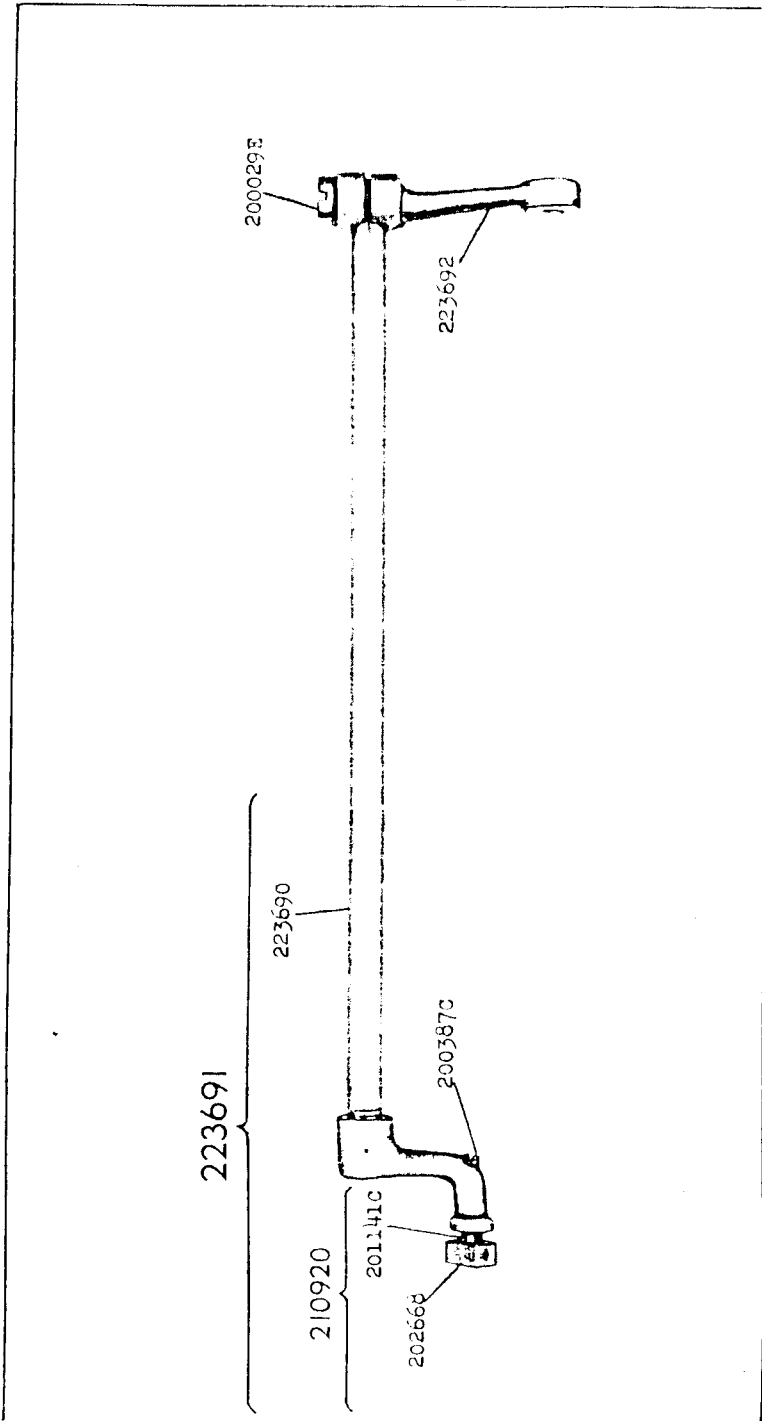


16604 - 3/8

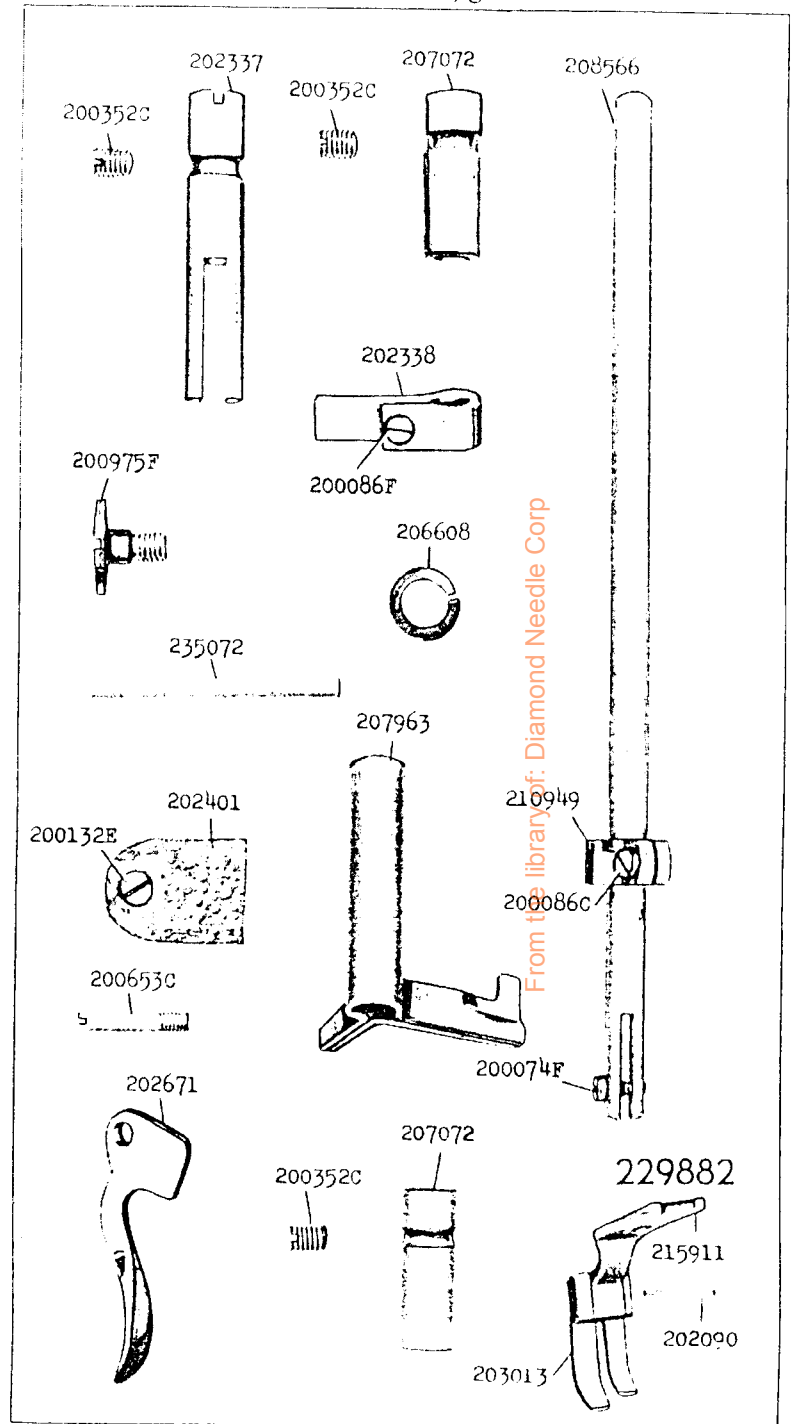


From the library of: Diamond Needle Corp

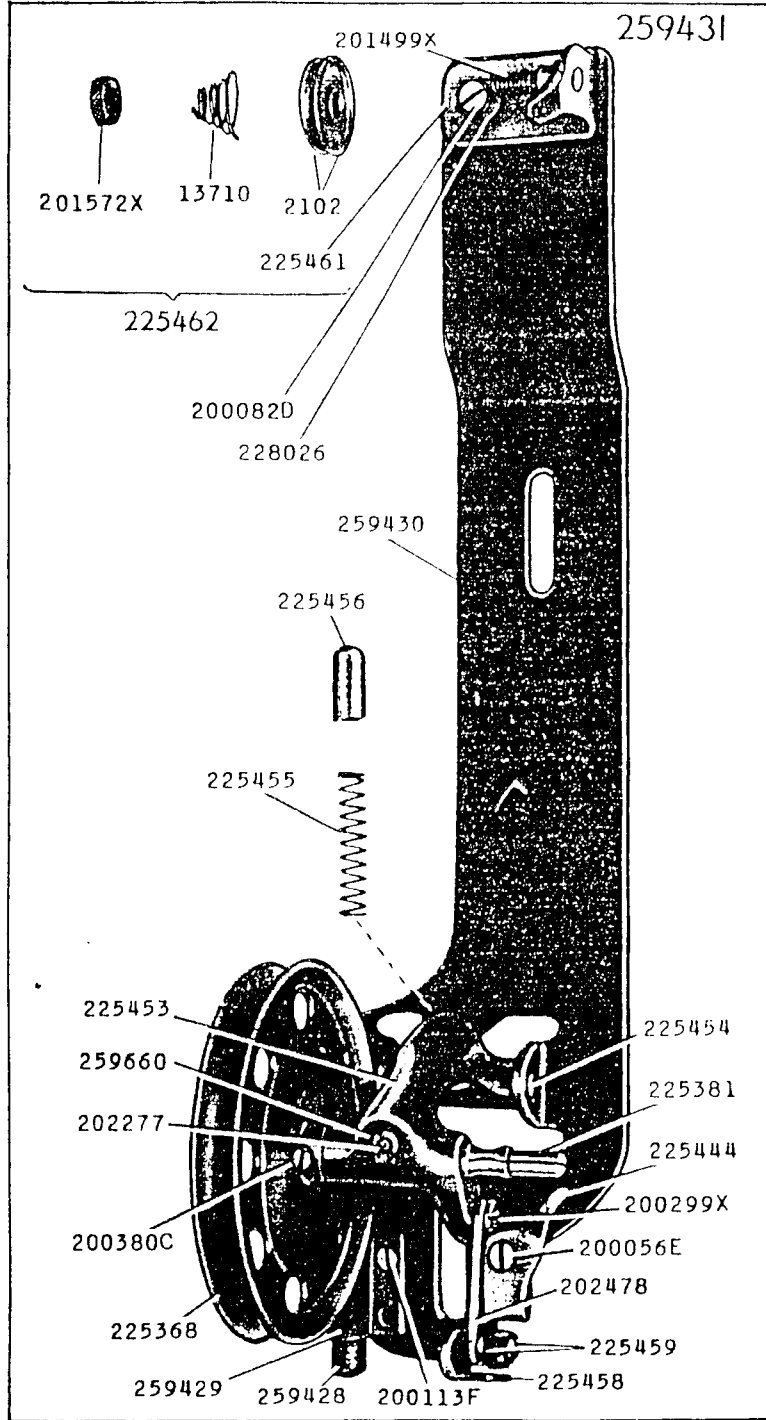
16609 - 1/2



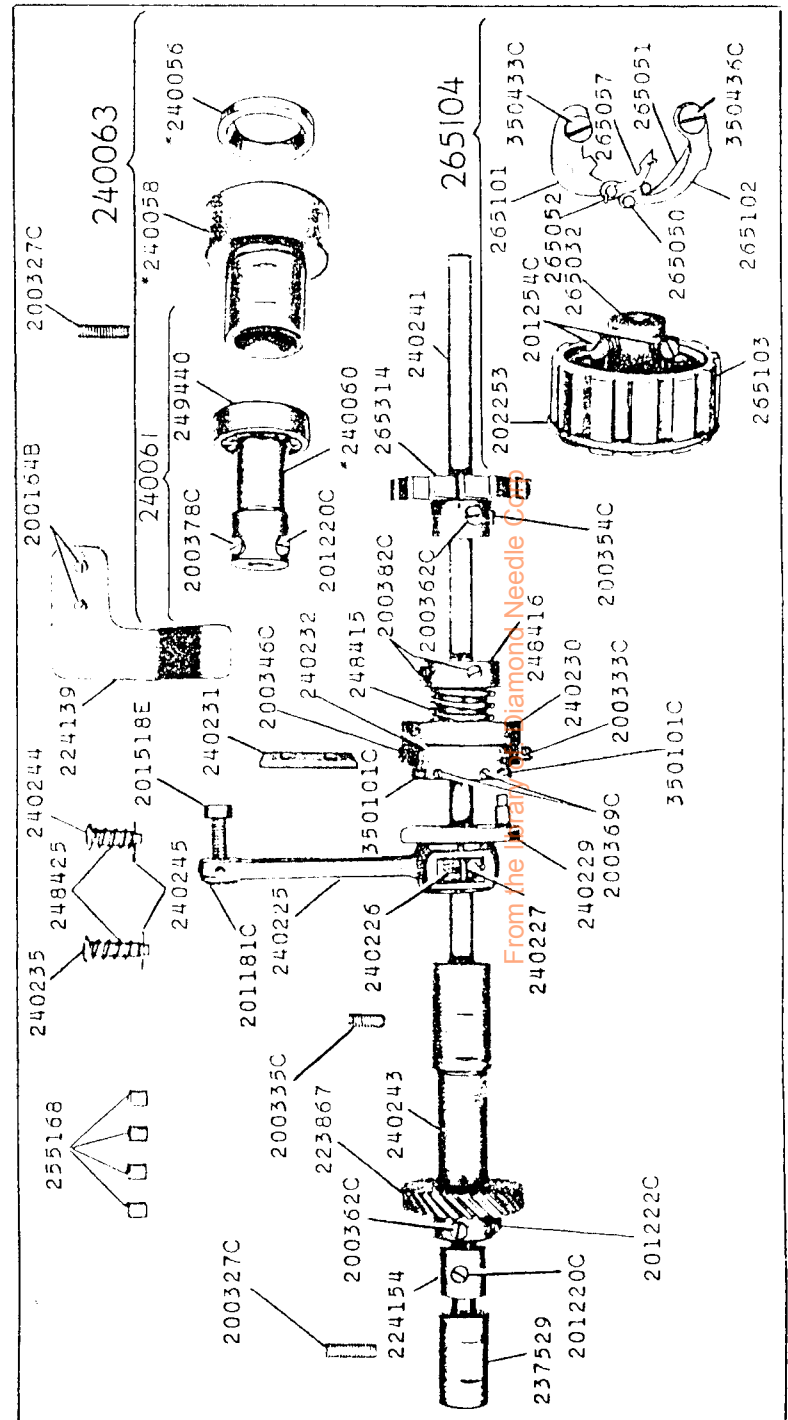
16611 - 5/8



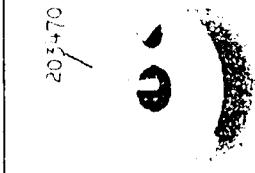
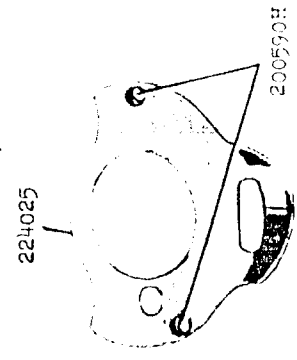
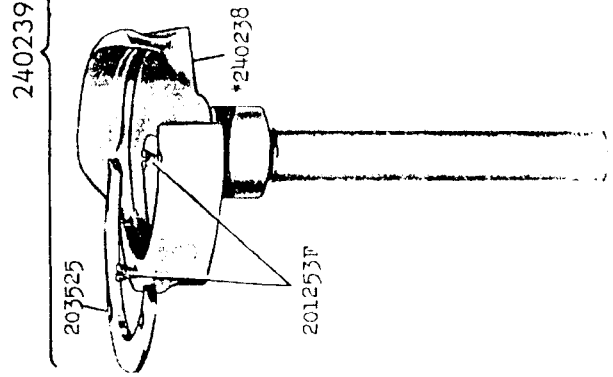
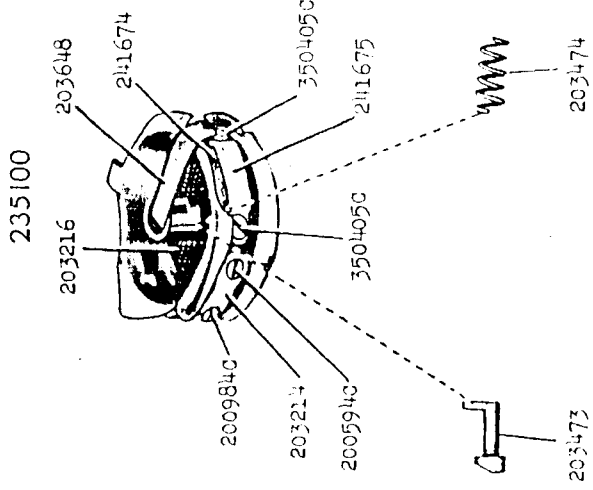
16615 - 1/2



16616 3/8

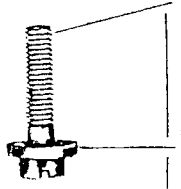
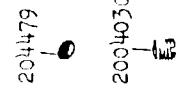
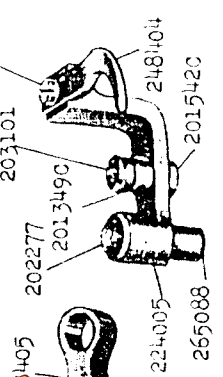
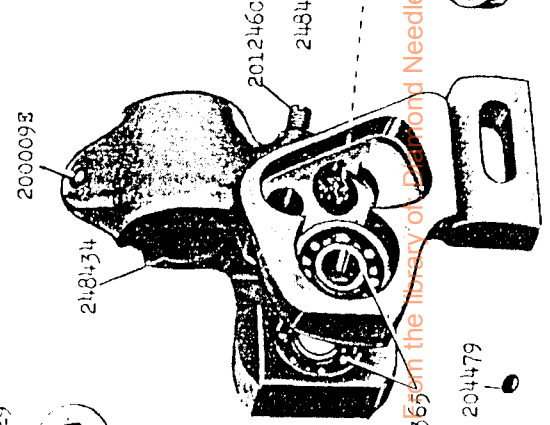
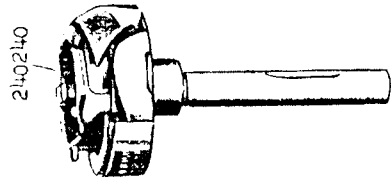
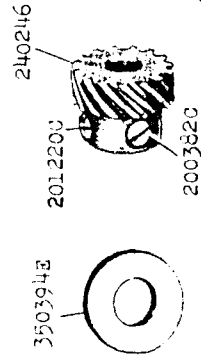
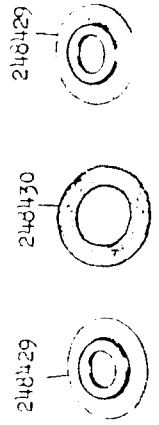


240240

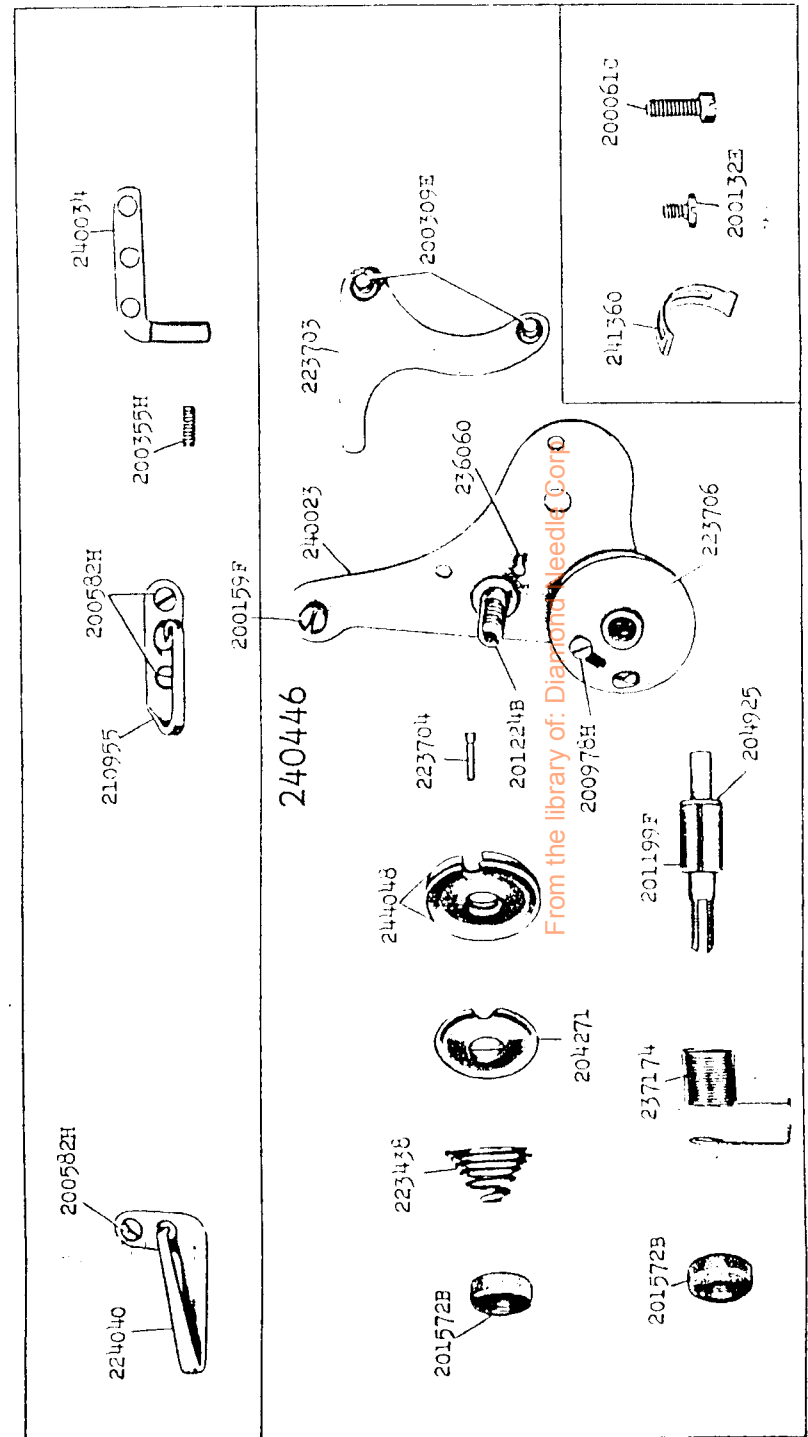
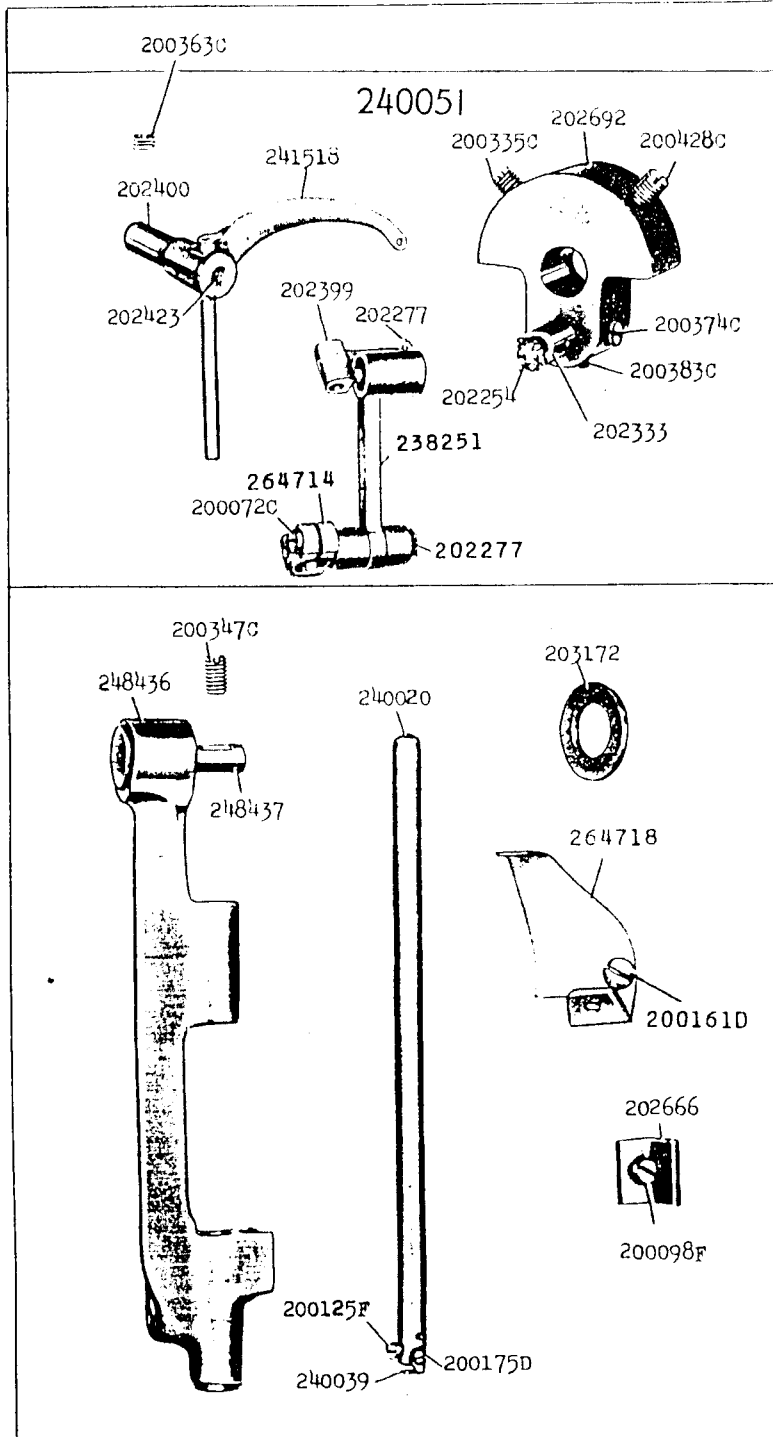


16617

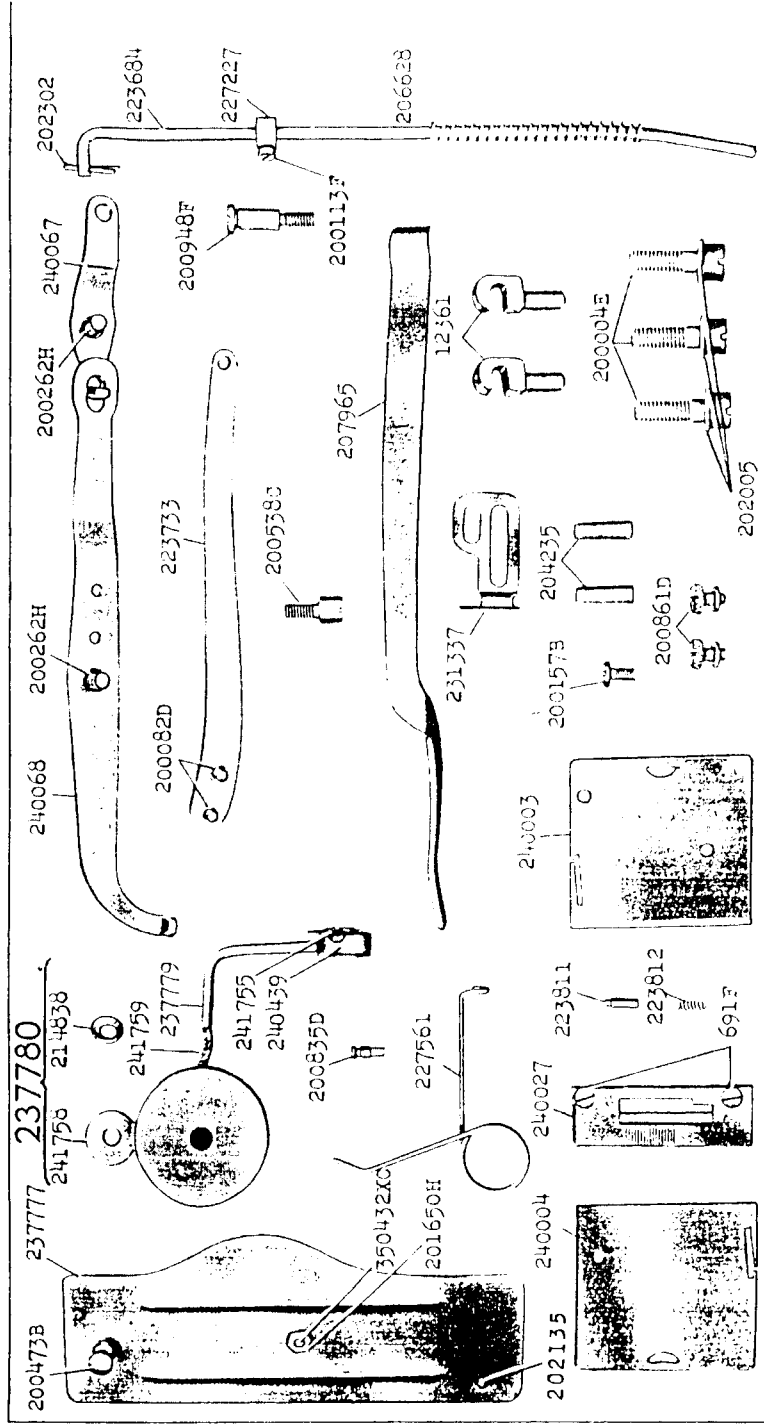
240242



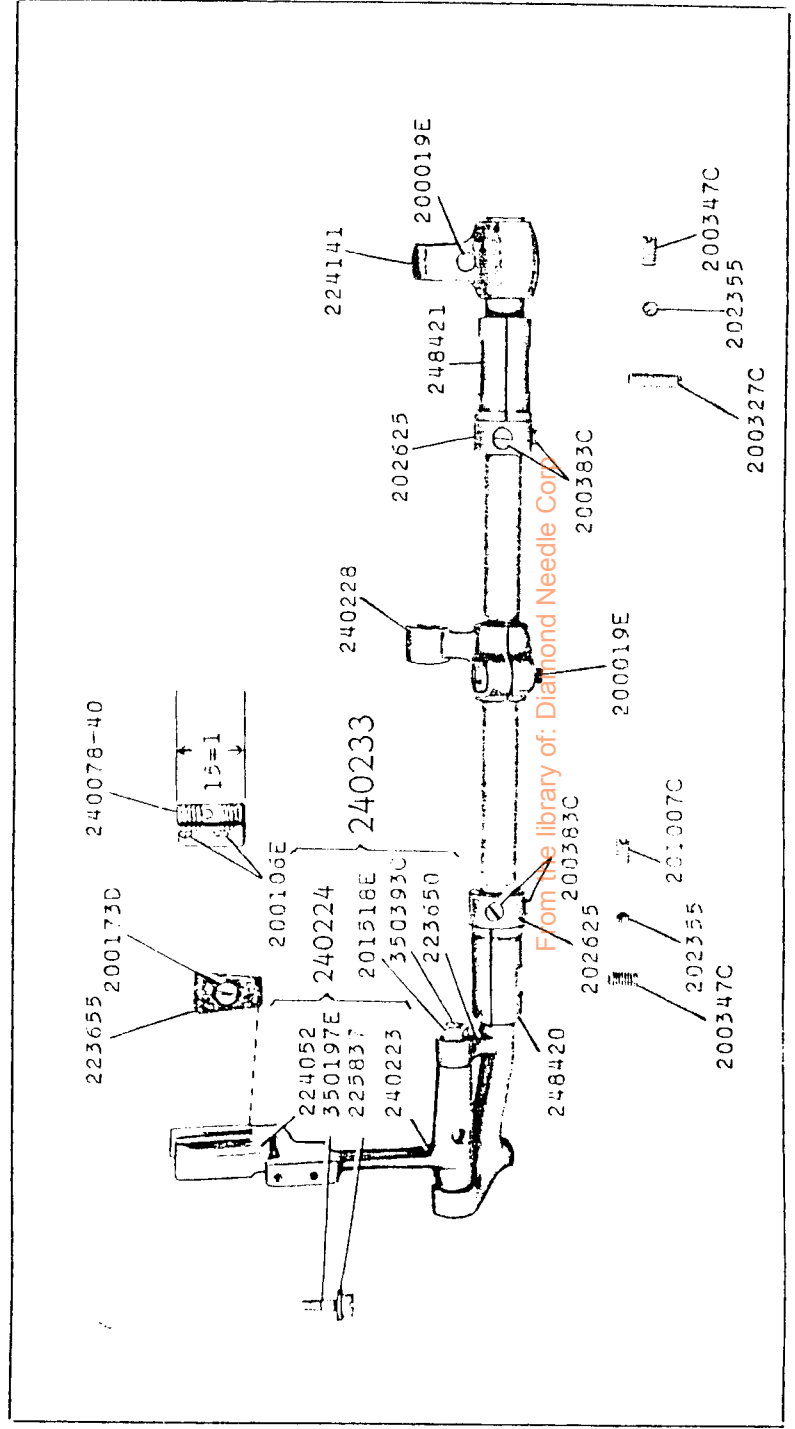
16618 - 5/8



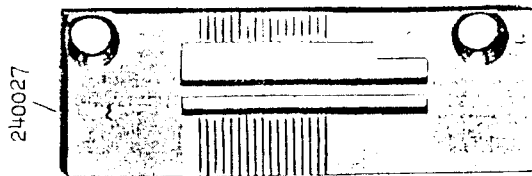
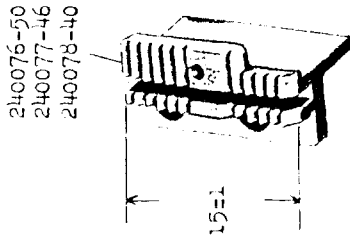
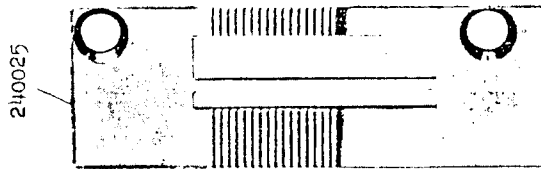
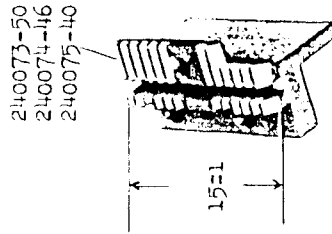
16621 - 3/8



16622 3/8

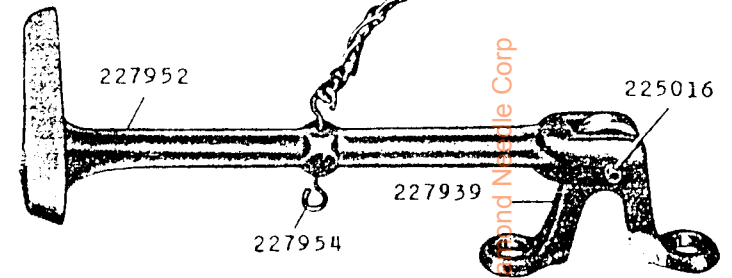
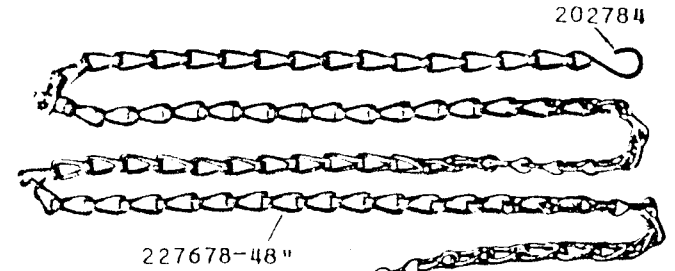


16623



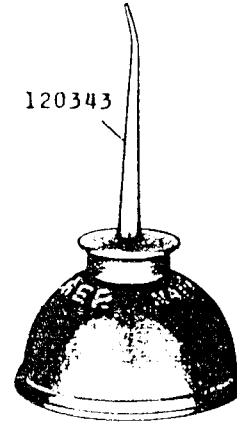
17620 - 1/3

227955



120342

120343



225498



228476



Library of: Dugand Nestle Corp